

**AWWA C508  
RESILIENT DISC  
CHECK VALVE**

**Model 9600  
Ductile Iron • Class 125**



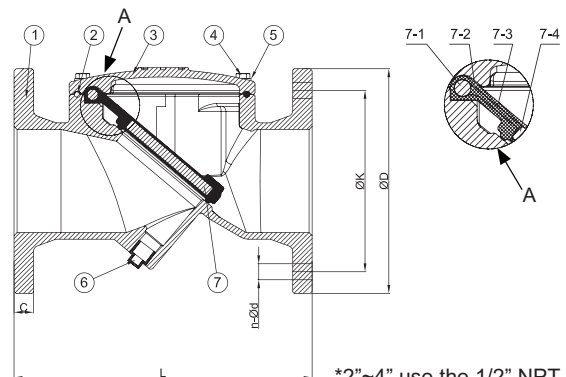
**DIMENSIONAL DATA**



Size	Part No. (Flanged)	L	ØD	ØK	N-Ød	C
2"	9600-120	8	6	4.74	4-3/4	0.75
2-1/2"	9600-125	8.5	7	5.5	4-3/4	0.87
3"	9600-130	9.5	7.5	6	4-3/4	0.95
4"	9600-140	11.5	9	7.5	8-3/4	0.95
6"	9600-160	14	11	9.5	8-7/8	1
8"	9600-180	19.5	13.5	11.75	8-7/8	1.12
10"	9600-200	24.5	16	14.25	12-1	1.18
12"	9600-220	27.5	19	17	12-1	1.26
14"	9600-240	31	21	18.74	12-1 1/8	1.38
16"	9600-260	36	23.5	21.3	16-1 1/8	1.44
18"	9600-280	36	25	22.75	16-1 1/4	1.57
20"	9600-300	38.5	27.5	25	20-1 1/4	1.70
24"	9600-340	43.25	32	29.5	20-1 3/8	1.90

**Description:**

1. The disc is precision molded with an integral O-ring type sealing surface, and contains alloy steel with nylon reinforcement in the flexible hinge area.
2. Manufactured with threaded port and a pipe plug on the bottom of the valve to allow for field installation of a back flow actuator.
3. Slamming and water hammer virtually non-existent due to it's short closing travel.
4. Full top-entry access for easy on-line inspection and maintenance
5. Working Pressure:  
250 psi/16 Bar
6. Working Temperature:  
-10°C to 82°C (14°F to 180°F) for NBR coated trim  
-10°C to 120°C (14°F to 248°F) for EPDM coated trim (optional)
7. Flange drilling to: ANSI 125/150 or EN1092-2 PN10 or PN16
8. Internally and externally fusion bonded epoxy powder coated (FBE)
9. Manufactured in accordance with AWWA C508, MSS-SP-71



\*2"~4" use the 1/2" NPT plug  
6"~24" use the 1" NPT plug

**MATERIAL LIST**

No.	Description	Material	ASTM Spec.
1	Body	Ductile Iron	ASTM A536 65-45-12
2	O-Ring	Rubber	NBR
3	Cover	Ductile Iron	ASTM A536 65-45-12
4	Bolt	Stainless Steel	AISI 304
5	Washer	Stainless Steel	AISI 304
6	*Plug	Stainless Steel	AISI 304
7	Disc	Steel & Rubber	Carbon Steel & NBR/EPDM
7-1	Bar	Stainless Steel	AISI 304
7-2	Lining	Rubber	NBR/EPDM
7-3	Reinforcement Fabric	Nylon	Commercial
7-4	Disc Plate	Steel	Commercial

Dimensions in inches  
Design and materials are subject to change without notice.



**WARNING:** This product can expose you to chemicals including lead, which is known to the State of California to cause cancer and birth defects or other reproductive harm. For more information go to [www.P65Warnings.ca.gov](http://www.P65Warnings.ca.gov).



**United Water Products**  
8710 Air Park West Drive, Charlotte, NC 28214  
TEL. 877-766-4459  
Website: [www.unitedwaterproducts.com](http://www.unitedwaterproducts.com)

